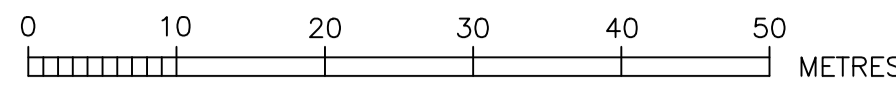


A1



DEVELOPER CONTRACT PLAN  
WORK-AS-CONSTRUCTED

- DESIGNER AND WATER SERVICING COORDINATOR:  
QALCHEK PTY LTD (CERTIFIED No.289)  
77 UNION RD. PENRITH NSW 2750  
PH. No. (02) 4722 8181  
  
FOR: LEGPRO PTY LTD ATF LEGPRO 54 PTY LTD  
LEVEL 27 - 19-29 MARTIN PLACE SYDNEY N.S.W 2000  
PH: 92521111
- THE WORKS AND MATERIALS ARE IN ACCORDANCE WITH THE SEWERAGE RETICULATION CODE OF AUSTRALIA (WSA 02-2002-2.2 VERSION 3) INCLUDING THE SYDNEY WATER SUPPLEMENT AND APPENDICES AND THE TECHNICAL SPECIFICATION FOR LEAK TIGHT SEWER SYSTEMS (VERSION 8) 17-12-2014.
- ALL STRUCTURES WERE CONSTRUCTED TO FINISHED SURFACE LEVELS.  
ALL LEVELS REFER TO FINISHED SURFACE LEVEL.
- ALL BUILDING LAYOUTS, FINISHED SURFACE LEVELS, STORMWATER INFORMATION, AND GENERAL CIVIL ENGINEERING DETAILS TAKEN FROM 'J. WYNDHAM PRINCE' ENGINEERING PLANS REVISION 'A' DATED '30.05.2017'
- THE MINIMUM NUMBER OF FIELD COMPACTION TESTS CONDUCTED TO SATISFY THE SEWERAGE CODE OF AUSTRALIA ARE:  
SAND/CEMENT BACKFILL IS USED AT ROAD CROSSINGS (LETTER SUPPLIED)  
PIPE EMBEDMENT ZONE: 0 TESTS CONDUCTED (LETTER PROVIDED)  
TRENCH FILL ZONE (TRAFFICABLE): 0 TESTS CONDUCTED (LETTER PROVIDED)  
TRENCH FILL ZONE (NON TRAFFICABLE): 24 TESTS CONDUCTED  
TRENCH FILL ZONE (MAINTENANCE STRUCTURES): 60 TESTS CONDUCTED  
TRENCH FILL ZONE - TOTAL: 84 TESTS CONDUCTED
- BUILDING OVER/ADJACENT TO SEWER - CONDITIONS MAY APPLY. REFER TO QALCHEK FOR DETAILS.
- ALL PSC CONNECTIONS TO I.S. ARE AT 0.7m & 45° TO MAIN UNLESS OTHERWISE INDICATED.  
- DENOTES STANDARD PCS CONNECTION (REFER DTC-2120 ISSUE A DATE 18.03.15)
- CONSTRUCTOR ENSURED THAT WORKS ARE CONSTRUCTED IN ACCORDANCE WITH SYDNEY WATER'S DEEMED TO COMPLY DRAWINGS:  
- FOR ALL MH'S DTC-2000 (ISSUE C 18-03-15), DTC-2220 (ISSUE D 18-03-15), DTC-2221 (ISSUE B 01.03.13), DTC-2222 (ISSUE C 18-03-15), DTC-2203 (ISSUE B 18-03-15)
- PIPES CONCRETE ENCASED SHOWN ACCORDINGLY: - REFER TO SEW-1205-V
- W.A.C. PREPARED FROM INFORMATION SUPPLIED (IN PART BY QALCHEK) & BY VINCE MORGAN SURVEYORS PTY LTD



B.M. AND LOCALITY SKETCH  
(NOT TO SCALE)

0	WORK AS CONSTRUCTED	J.V.	05.07.18
A	DRAFT	M.P	04.06.17
No.	AMENDMENT DESCRIPTION	BY	DATE

PLAN TO BE READ IN CONJUNCTION WITH CURRENT SYDNEY WATER STANDARDS SYDNEY WATER CORPORATION	UTILITIES			
	TYPE	DATE	REF.	TYPE
PRIOR TO COMMENCEMENT OF EXCAVATION FOR PROPOSED AND EXISTING SERVICES CONTACT:- DIAL BEFORE YOU DIG . . . . . Ph. 1100 ELECTRICITY . . . . . Ph. . . . . GAS . . . . . Ph. . . . . TELECOMMUNICATIONS . . . . . Ph. 132 092 SYDNEY WATER . . . . . Ph. 132 092 GIVING AT LEAST 48 HOURS NOTICE.				

WORK AS CONSTRUCTED CERTIFICATION			
DEVELOPER	LEGPRO PTY LTD		
WATER SERVICE CO-ORDINATOR	QALCHEK PTY LTD		
CONSTRUCTOR	FLUID PTY LTD		
COMPLETED	15.12.2017	W.A.C. PREPARED	05.07.2018
DESIGNER	QALCHEK PTY LTD		
I CERTIFY THAT THE WORKS HAVE BEEN CONSTRUCTED IN ACCORDANCE WITH THE WORK AS CONSTRUCTED DRAWINGS.			

PIPE SCHEDULE			
SIZE DN	TYPE	CLASS	LENGTH
150	UPVC	SN8	1242.14
100	UPVC	SN10	66.5

PIPE JOINING METHOD / NOTES: RRJ, SWJ (NOTE 7)

DESIGN HEAD: . . . m

NO BOUNDARY TRAPS REQUIRED.

AUSTRALIAN HEIGHT DATUM	
SCALES	
PLAN	1:500
SECTION	HOR. 1:500 VERT. 1:125
CROSS SECTIONS	NATURAL
LENGTHS, DEPTHS & LEVELS ARE IN METRES.	

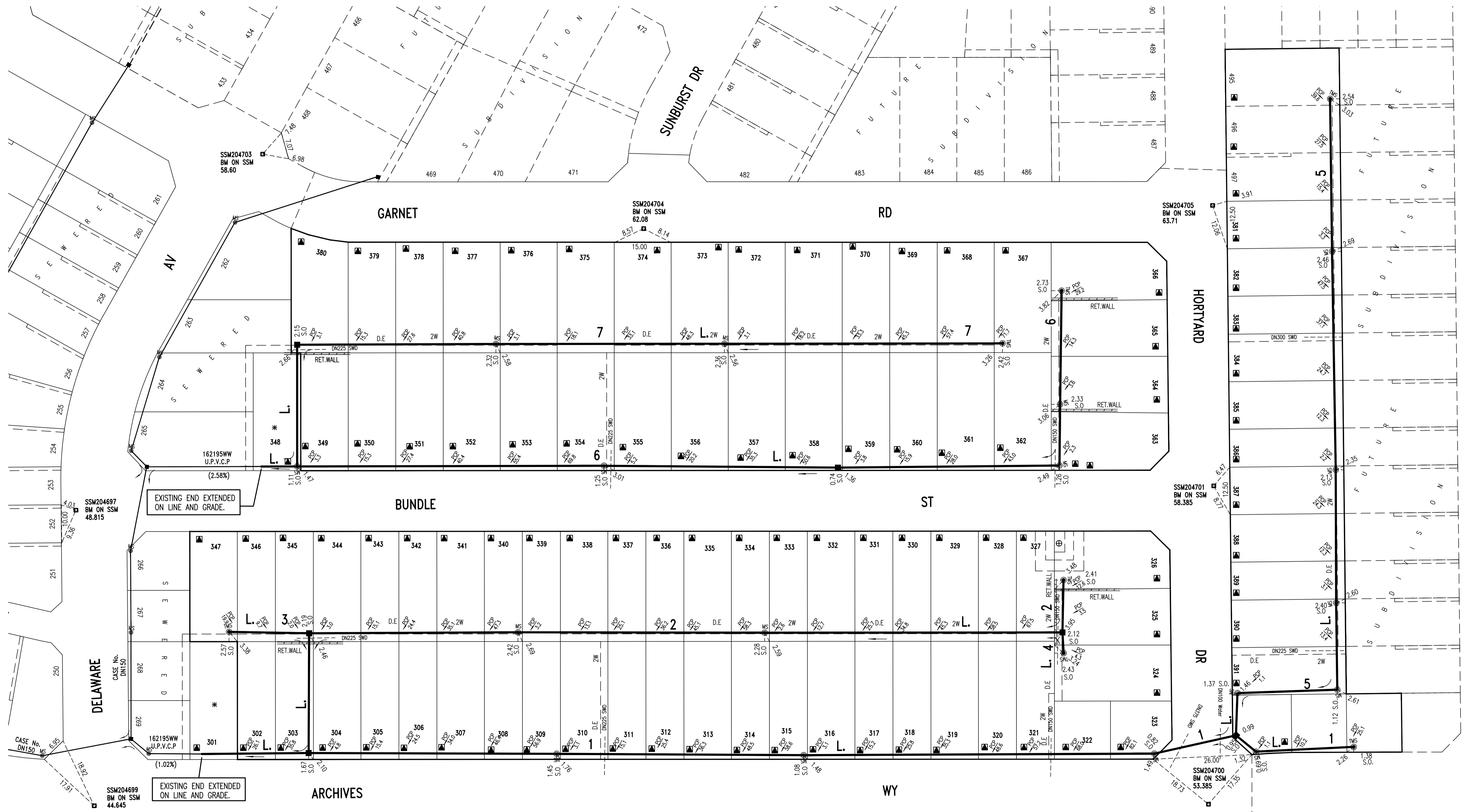
NO AMENDMENTS ARE TO BE MADE TO THIS PLAN WITHOUT REFERENCE TO SYDNEY WATER. THIS PLAN IS NOT NECESSARILY UP TO DATE OR CORRECT AND SYDNEY WATER ACCEPTS NO RESPONSIBILITY.	
U.B. DIRECTORY	. . . . . 184 K4 (42nd Ed.) . . . . .
SHEET	. 1 . OF . 5 . File No. . N/A . . . . .

**Sydney WATER** SYDNEY WATER CORPORATION

Case No. 162196WW

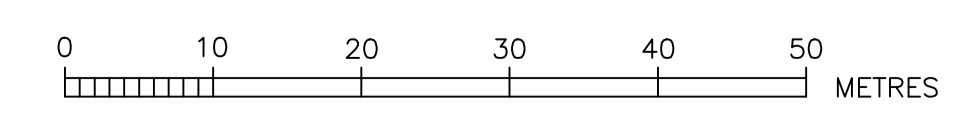
**PENRITH SEWERAGE**  
DRAINS TO  
ST MARYS ST0011

PLAN DRAWN DATE: 05.07.2018      VERSION: 0      SHEET 1 OF 5      SHEETS



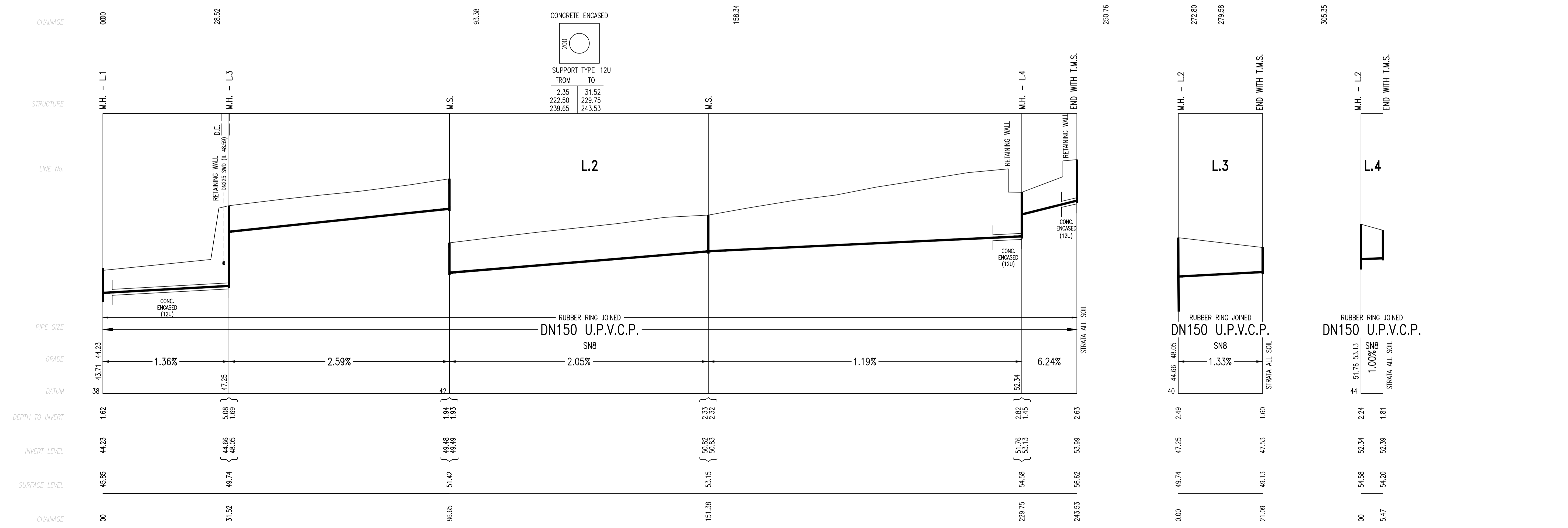
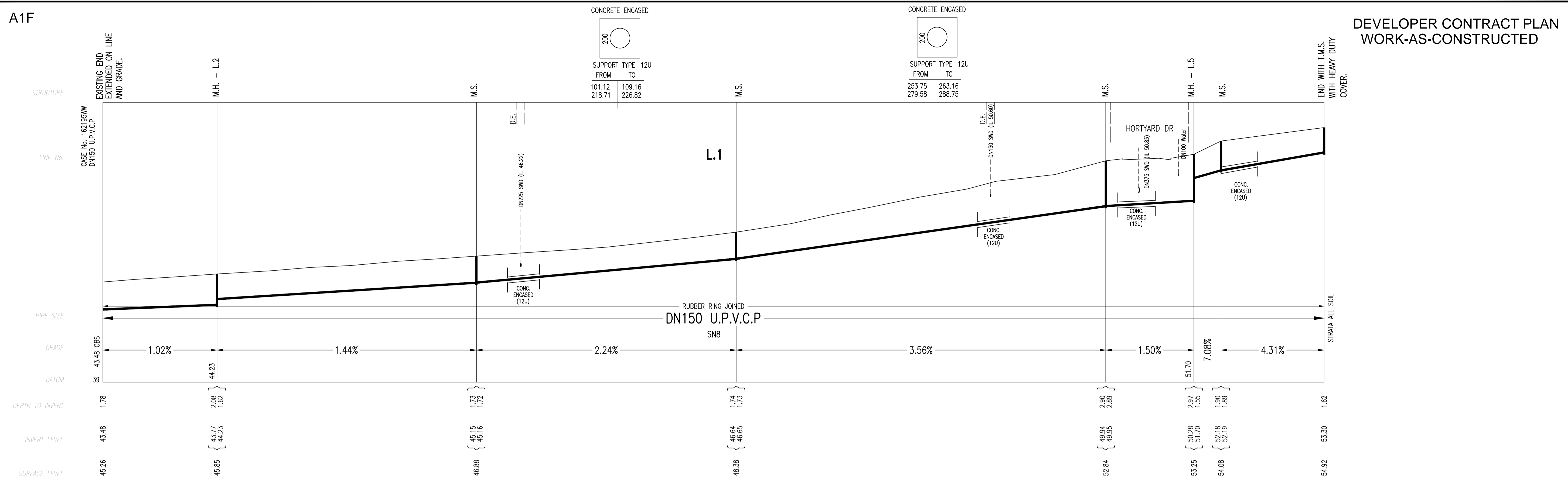
PLAN DRAWN DATE: 05.07.2018 VERSION: 0 SHEET 2 OF 5 SHEETS

0	WORK AS CONSTRUCTED	J.V.	05.07.18
A	DRAFT	M.P.	04.06.17
No.	AMENDMENT DESCRIPTION	BY	DATE

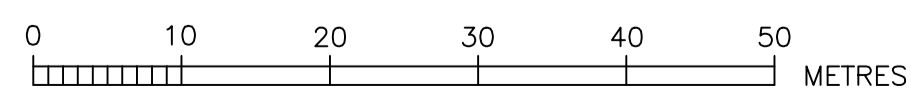


- ⊕ DENOTES EASEMENT FOR PADMOUNT SUBSTATION 2.75 WIDE
- ▲ DENOTES DRIVEWAY
- \* DENOTES SERVICED BY CASE 162195WW

WORK AS CONSTRUCTED CERTIFICATION		Sydney WATER SYDNEY WATER CORPORATION	
DEVELOPER	LEGPRO PTY LTD	Case No.	162196WW
W.S.C.	QALCHEK PTY LTD	SHT	2 OF 5 SHTS.
CONSTRUCTOR	FLUID PTY LTD		
COMPLETED	15.12.2017		
W.A.C. PREPARED	05.07.2018		
DESIGNER	QALCHEK PTY LTD	SYDNEY WATER CORPORATION	
I CERTIFY THAT THE WORKS HAVE BEEN CONSTRUCTED IN ACCORDANCE WITH THE WORK AS CONSTRUCTED DRAWINGS		FOR DETAILS OF SERVICES SEE SHEET 1	

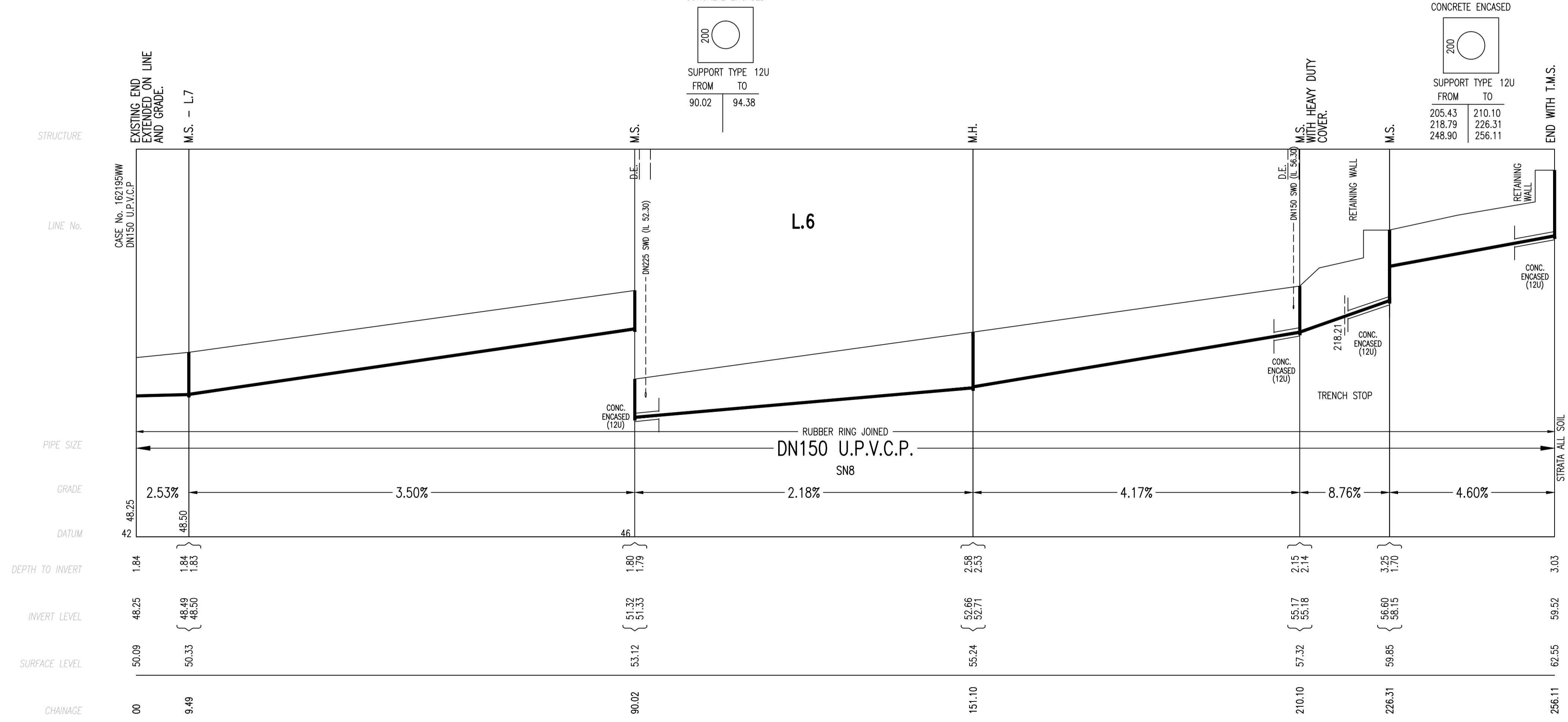
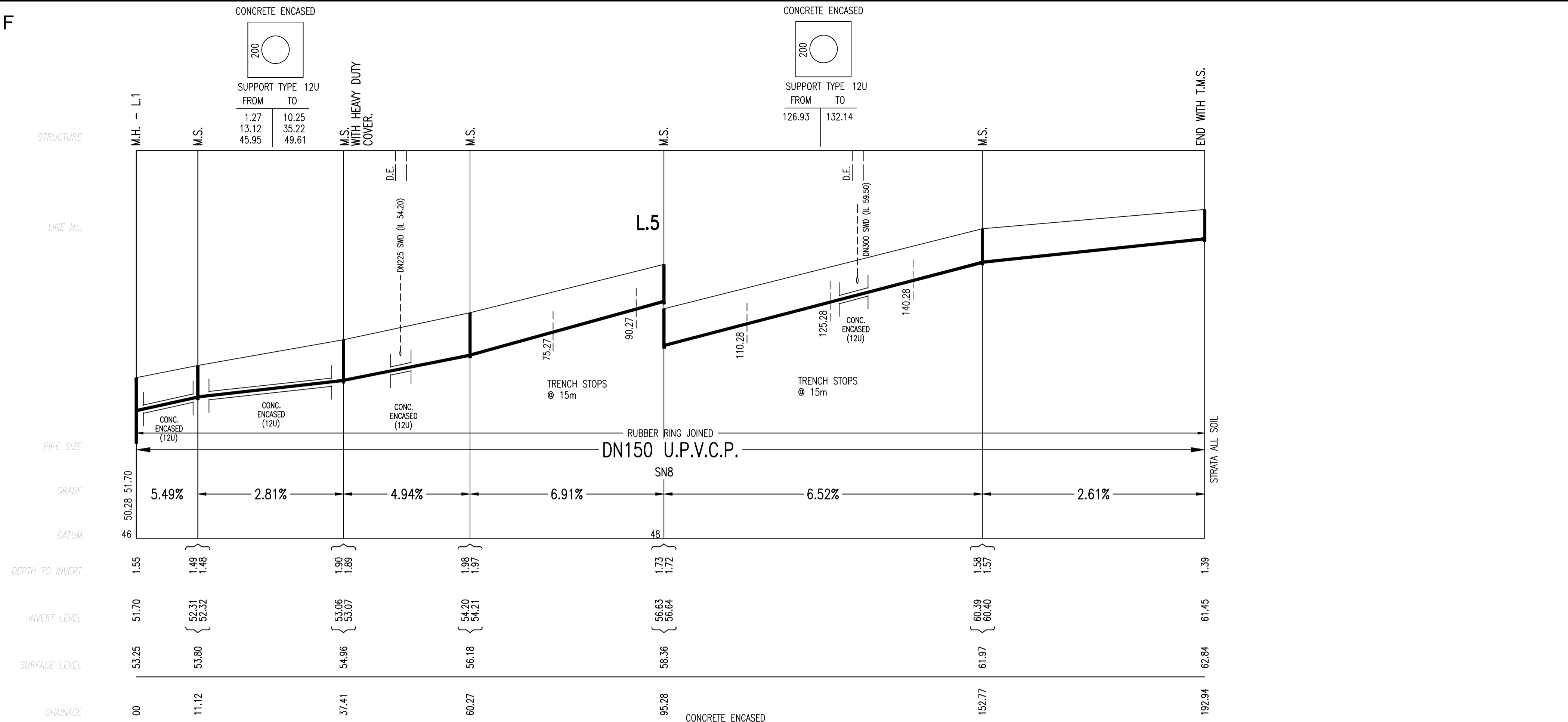


NOTE: ALL M.H.'S ARE DTC-2203

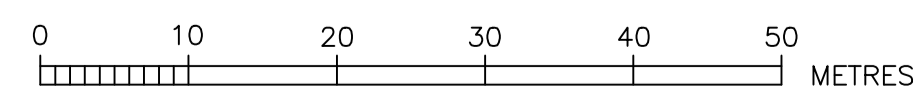


0	WORK AS CONSTRUCTED	J.V.	05.07.18
A	DRAFT	M.P.	04.06.17
No.	AMENDMENT DESCRIPTION	BY	DATE

WORK AS CONSTRUCTED CERTIFICATION		SYDNEY WATER CORPORATION	
DEVELOPER	LEGPRO PTY LTD	<b>Sydney WATER</b>	Case No.162196WW SHT 3 OF 5 SHTS.
W.S.C.	QALCHEK PTY LTD		
CONSTRUCTOR	FLUID PTY LTD		
COMPLETED	15.12.2017		
W.A.C. PREPARED	05.07.2018		
DESIGNER	QALCHEK PTY LTD	SYDNEY WATER CORPORATION	
I CERTIFY THAT THE WORKS HAVE BEEN CONSTRUCTED IN ACCORDANCE WITH THE WORK AS CONSTRUCTED DRAWINGS		FOR DETAILS OF SERVICES SEE SHEET 1	

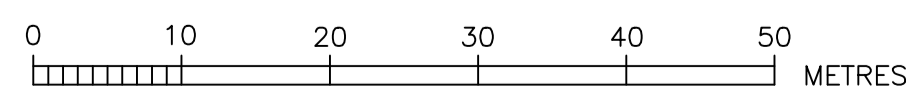
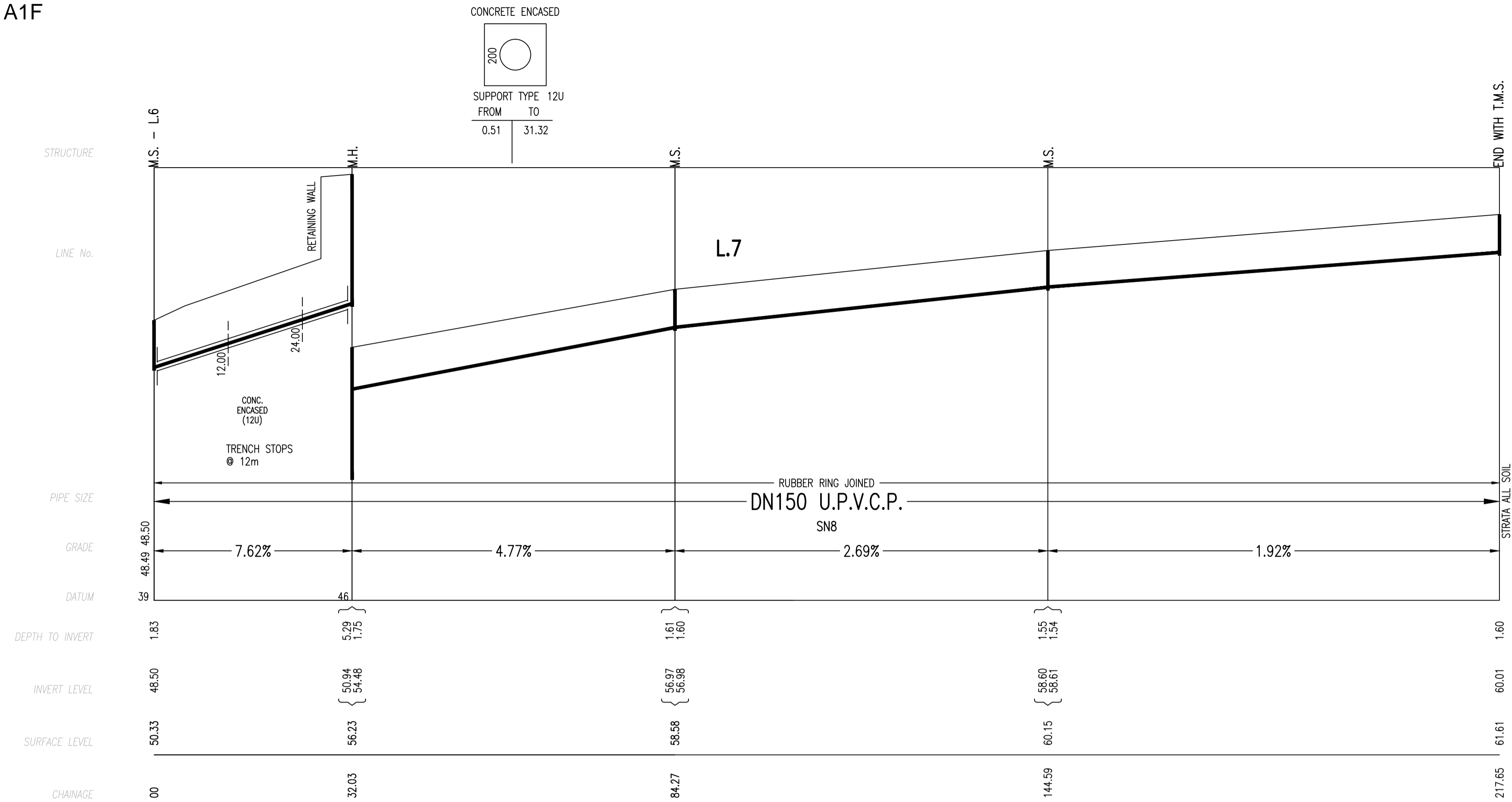


NOTE: ALL M.H.'S ARE DTC-2203



0	WORK AS CONSTRUCTED	J.V.	05.07.18
A	DRAFT	M.P	04.06.17
No.	AMENDMENT DESCRIPTION	BY	DATE

WORK AS CONSTRUCTED CERTIFICATION		SYDNEY WATER CORPORATION	
DEVELOPER	LEGPRO PTY LTD	<b>Sydney WATER</b>	Case No.162196WW SHT 4 OF 5 SHTS.
W.S.C.	QALCHEK PTY LTD		
CONSTRUCTOR	FLUID PTY LTD	SYDNEY WATER CORPORATION	
COMPLETED	15.12.2018	FOR DETAILS OF SERVICES SEE SHEET 1	
W.A.C. PREPARED	05.07.2018		
DESIGNER	QALCHK PTY LTD		
I CERTIFY THAT THE WORKS HAVE BEEN CONSTRUCTED IN ACCORDANCE WITH THE WORK AS CONSTRUCTED DRAWINGS			



0	WORK AS CONSTRUCTED	J.V.	05.07.18
A	DRAFT	M.P.	04.06.17
No.	AMENDMENT DESCRIPTION	BY	DATE

WORK AS CONSTRUCTED CERTIFICATION		Sydney WATER SYDNEY WATER CORPORATION	
DEVELOPER	LEGPRO PTY LTD	Case No.162196WW	SHT 5 OF 5 SHTS.
W.S.C.	QALCHEK PTY LTD		
CONSTRUCTOR	FLUID PTY LTD		
COMPLETED	15.12.2018		
W.A.C. PREPARED	05.07.2018		
DESIGNER	QALCHEK PTY LTD	SYDNEY WATER CORPORATION	
I CERTIFY THAT THE WORKS HAVE BEEN CONSTRUCTED IN ACCORDANCE WITH THE WORK AS CONSTRUCTED DRAWINGS		FOR DETAILS OF SERVICES SEE SHEET 1	